

Air Diffusers

For effective supply and exhaust of air



Brink Climate Systems had developed its own range of air diffusers (colour white, RAL 9016) for the effective supply and exhaust of air, as part of its whole house ventilation systems.



SPECIFICATIONS SUPPLY DIFFUSER

- High inductive capacity; dependent on diffuser output velocity.
- Recommended maximum flow rate 50 m³/h.
- Suitable for ducts Ø 125 mm.
- Extremely low sound production.
- Provided with a 40 mm raised edge that prevents fouling of ceiling or wall.
- Comes as standard with a strip to create a clean zone. When this strip is mounted, the air is not blown along the adjoining wall.
- Clamping springs for easy assembly.
- Comes with a rubber mounting ring to ensure perfect sealing.
- Continuously adjustable control; increasing the diffuser setting increases the flow rate and reduces the resistance.
- Installation options: in ceiling (core side or wall side).



SPECIFICATIONS EXHAUST DIFFUSER

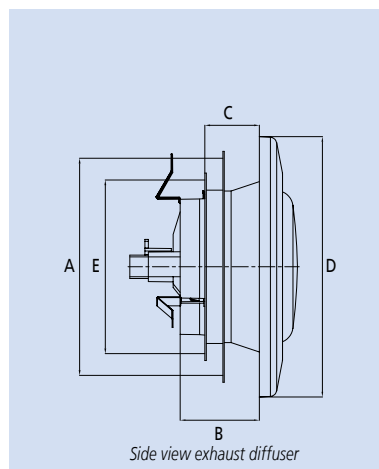
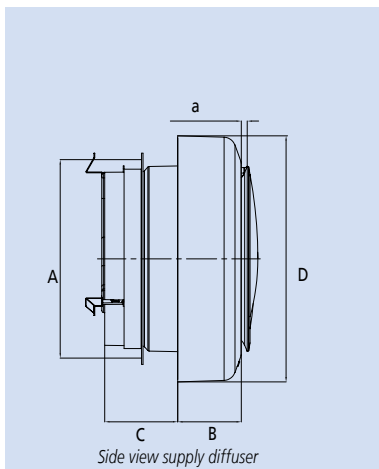
- Recommended maximum flow rate 75 m³/h.
- Suitable for relatively low pressure drops.
- Suitable for ducts Ø 100 and 125 mm.
- Clamping springs for easy assembly.
- Comes with a rubber mounting ring to ensure perfect sealing.
- Continuously adjustable control.
- Specifically suitable for installation in damp spaces.

BRINK

Climate Systems
Comfort, all year round

Air Diffusers

For effective supply and exhaust of air

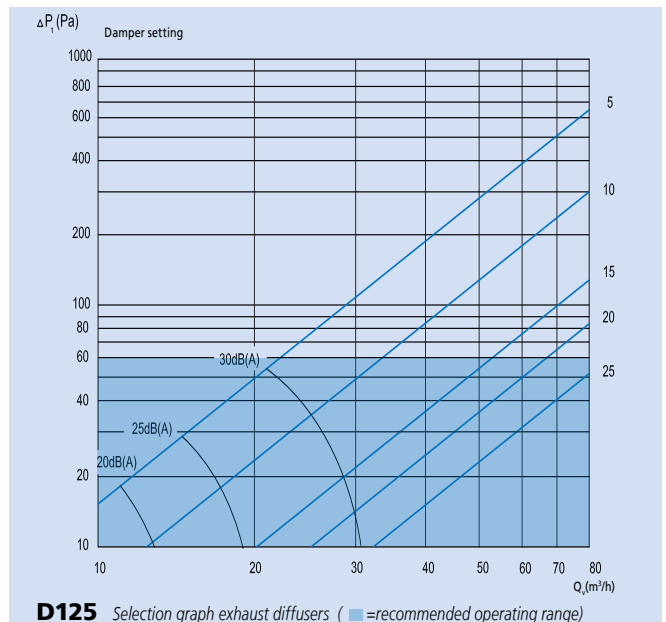
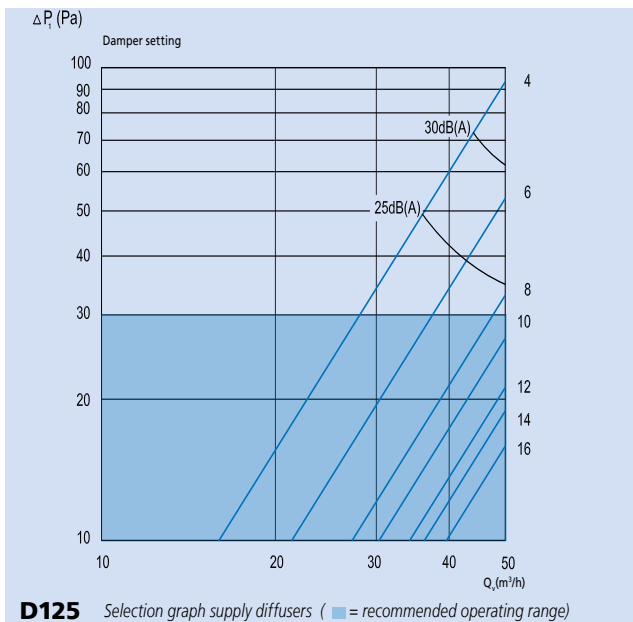


SLEEVES

a Damper setting

DIMENSIONS (IN MM)

Type	A	B	C	D	E
Supply diffuser	∅ 125	40	46	∅ 155	-
Exhaust diffuser	∅ 125	45	31	∅ 150	∅ 100



WOULD LIKE TO KNOW MORE ABOUT THESE DIFFUSERS?

For more information please call your Brink installer or you can call us at Brink Climate Systems in Staphorst.



Climate Systems

Brink Climate Systems B.V. R.D. Bügelstraat 3 P.O. Box 11 NL-7950 AA Staphorst
Tel. +31 522 46 99 44 Fax +31 522 46 94 00 info@brinkclimatesystems.nl www.brinkclimatesystems.nl